

FirePedestal FireCabinet

MARINA
RV PARK
BUSINESS
HOME



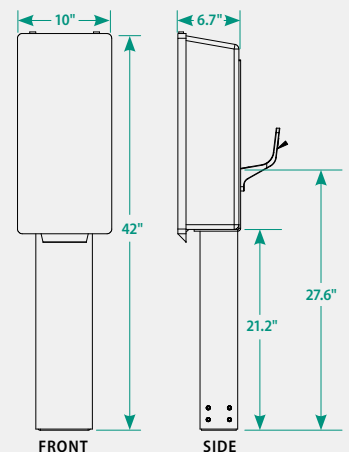
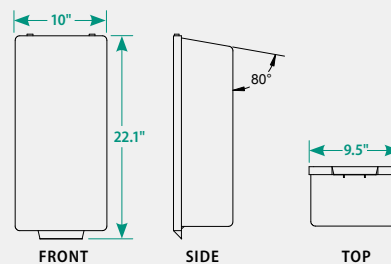
Standard Features

- Durable U/V protected case and break-away door
- Locking door with brass lock (supplied)
- Designed to accept most standard 10 lb. fire extinguishers
- **FirePedestal** includes heavy-duty, powder-coated 6061 aluminum stand
- **FirePedestal** stand utilizes a safe, concealed mounting system with a space-saving footprint for tight areas

Options

- Buoy hook for your **FirePedestal**
- Mounting bracket kit for your **FireCabinet**

NOTE: Life ring and 10# fire extinguisher not included.



PowerPedestal.com

1.800.825.3379 or 918.341.6811 | Fax: 918.341.1178

Email: sales@powerpedestal.com

Technical assistance: support@powerpedestal.com

915 West Blue Starr Drive ■ Claremore, OK 74017 USA

HYPower™

THE POWER PEDESTAL COMPANY

