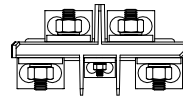


W:\HyPower\Engineering\Drawings\AutoCAD DWGs\Wiring Diagrams\PP - wiring connection - hurricane base.dwg

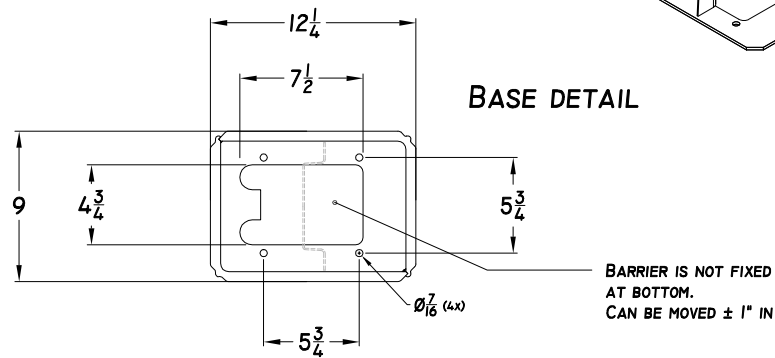
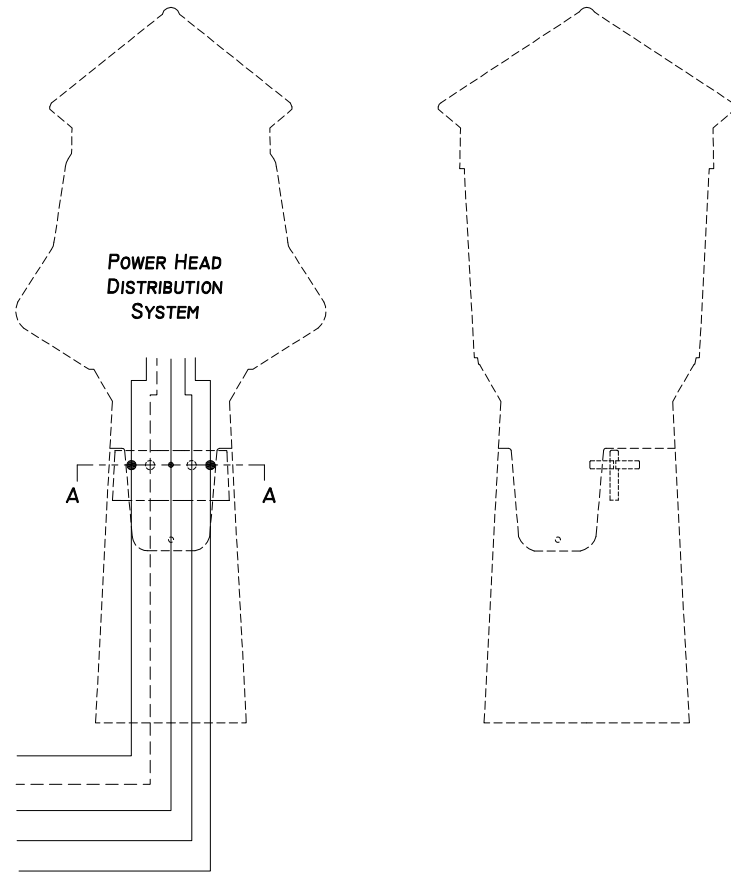
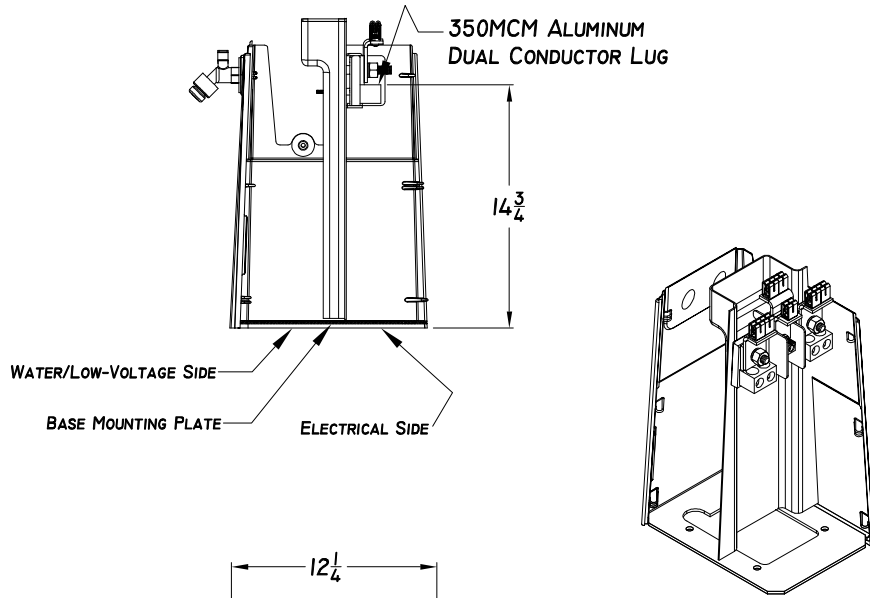
REV.	REVISIONS	DATE	APPROVED
1	REPLACED 0.5"x1.5" SCREWS WITH 0.5"x2.0"	9/22/03	AGS

SECTION A-A

L3 N
L2 G LI



TERMINAL STUD
1/2"-13 BRONZE
GROUND STUD
1/4"-20 BRONZE



BOTTOM VIEW

DIMENSIONS ARE IN INCHES TOLERANCES: ± 0.010" FRACTIONAL ± ANGULAR: MACH ± BEND ± TWO PLACE DECIMAL ±0.01" THREE PLACE DECIMAL ±0.010"		NAME	DATE	HyPower POWERPORT BASE CUTAWAY SNAP CONNECT			
MATERIAL	FINISH	DRAWN	AGS			09-22-03	
DO NOT SCALE DRAWING		CHECKED	ENG APPR.	MFG APPR.	Q.A.		
		COMMENTS:			SIZE	DWG. NO.	REV.
					A	02-0000034	
		SCALE:	WEIGHT:	SHEET 1 OF 1			