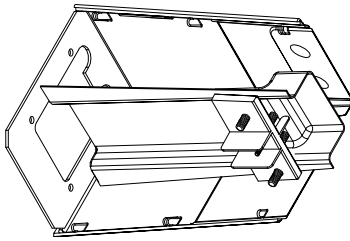
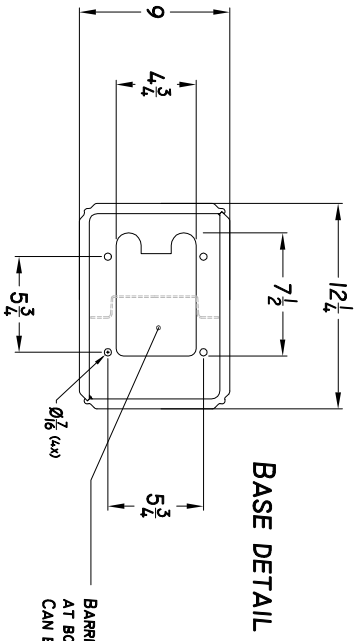
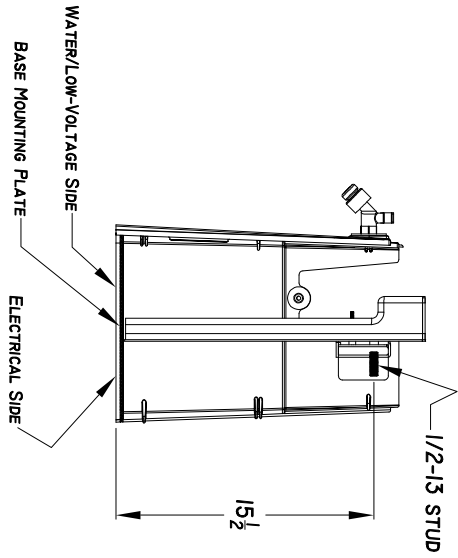
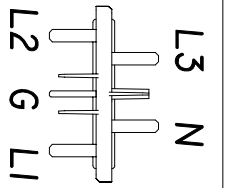


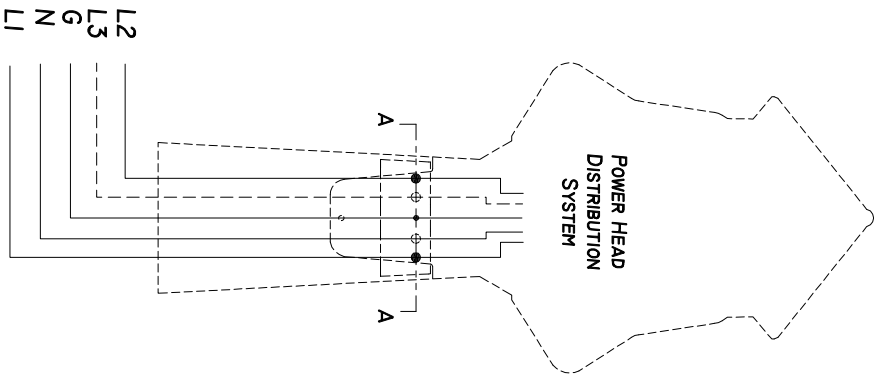
REVISIONS		
REV.	DESCRIPTION	DATE
1	REPLACED 0.5"X1.5" SCREWS WITH 0.5"X2.0"	9/22/03
		AGS



SECTION A-A



TERMINAL STUD
1/2"-13 BRONZE
GROUND STUD
1/4"-20 BRONZE



350MCM DUAL CONDUCTOR
ALUMINUM MECHANICAL LUGS
AVAILABLE

BOTTOM VIEW

DIMENSIONS ARE IN INCHES		TOLERANCES: ± 0.010"	
FRACTIONAL: ±		DECIMAL: ±	
ANGULAR: MACH	BEND ±	CHECKED	DATE
TWO PLACE DECIMAL	±0.01"	ENG APPR.	09-22-03
THREE PLACE DECIMAL	±0.010"	MFG APPR.	
MATERIAL	QA	COMMENTS	
FINISH			
DD NOT SCALE DRAWING			

HyPower	
POWERPORT BASE CUTAWAY RING CONNECT	
SIZE DWG. NO.	REV.
A	
SCALE:	WEIGHT:
SHEET 1 OF 1	